

# MAGNETIC SPOTLIGHT MODULE

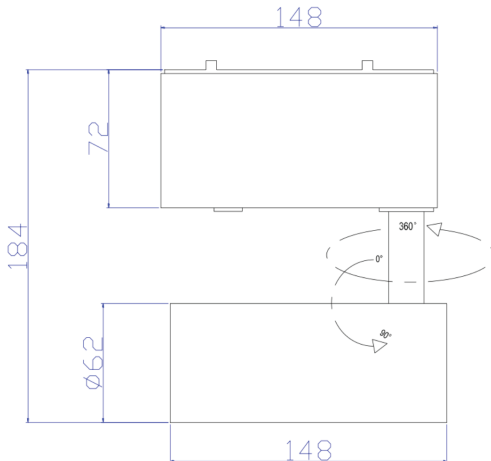
TECHNICAL SHEET  
DV-SP-6220



**KEYLIGHT**

SPAIN  
PRODUCTOS DE ILUMINACION

## DRAWING



## SPECIFICATIONS

Product Code	DV-SP-6220
Input Current	48VDC
Driver	Input: DC48V Output: 27-43V 450MA
Beam Angle	15°/24°/38°
Power	20W
Lamp Holder	Aluminum PC
Color Temperature	3000/4000/6000k
Installation	Magnetic
IP Rating	IP20
Dimensions	184mm*62mm*148mm